

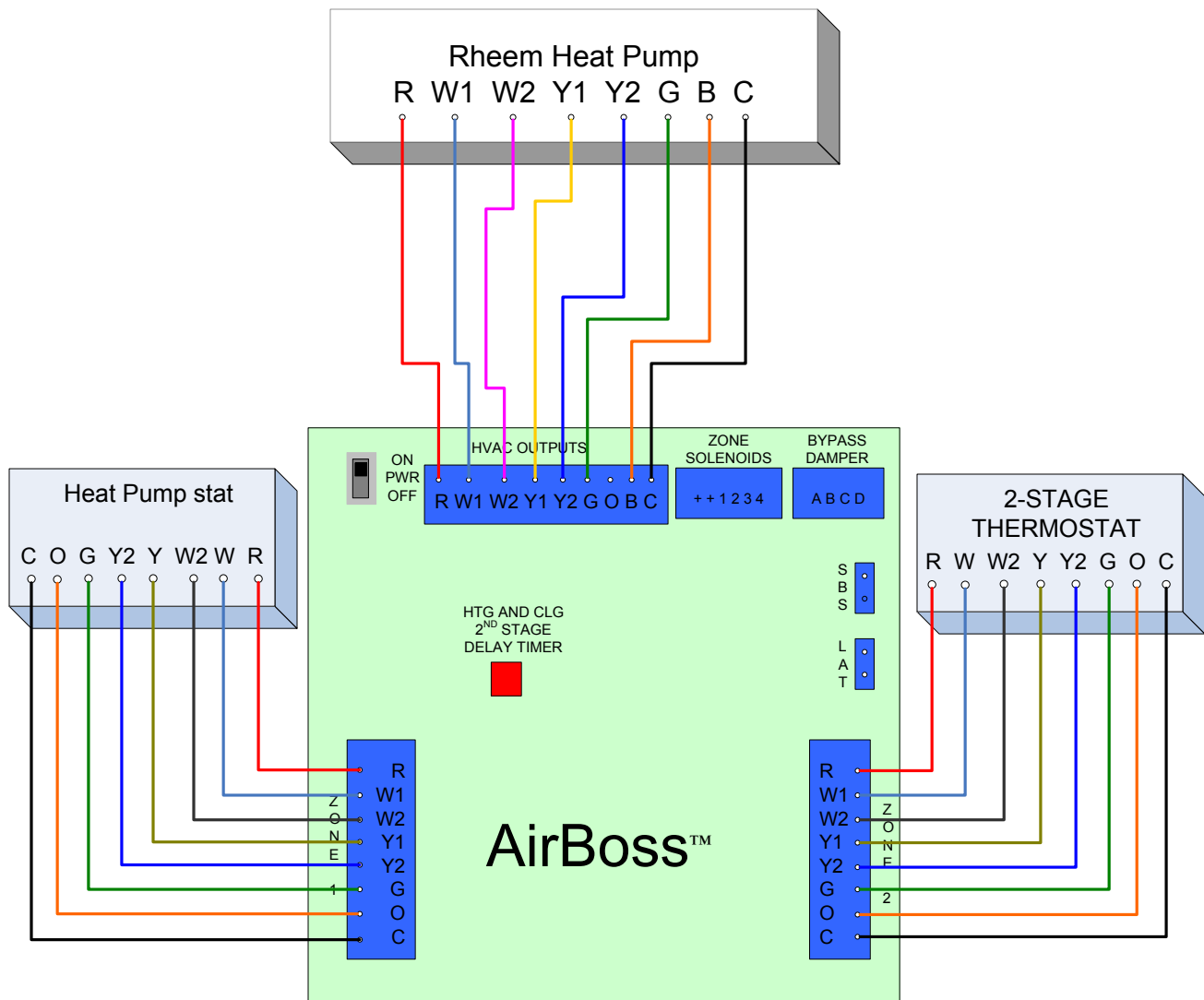
Arzel Zoning Technology Inc.

Tuesday, February 13, 2007

Configure the thermostats to energize the reversing valve in the cooling mode.

Connect the B terminal from the hvac outputs to the b terminal on the heat pump.

Connect the O terminal from the thermostats to the zone board.



Where Comfort is Guaranteed !

216-831-6068 / Fax 216-831-6074

National Tech Support Hot Line 800-611-8312

www.arzelzoning.com