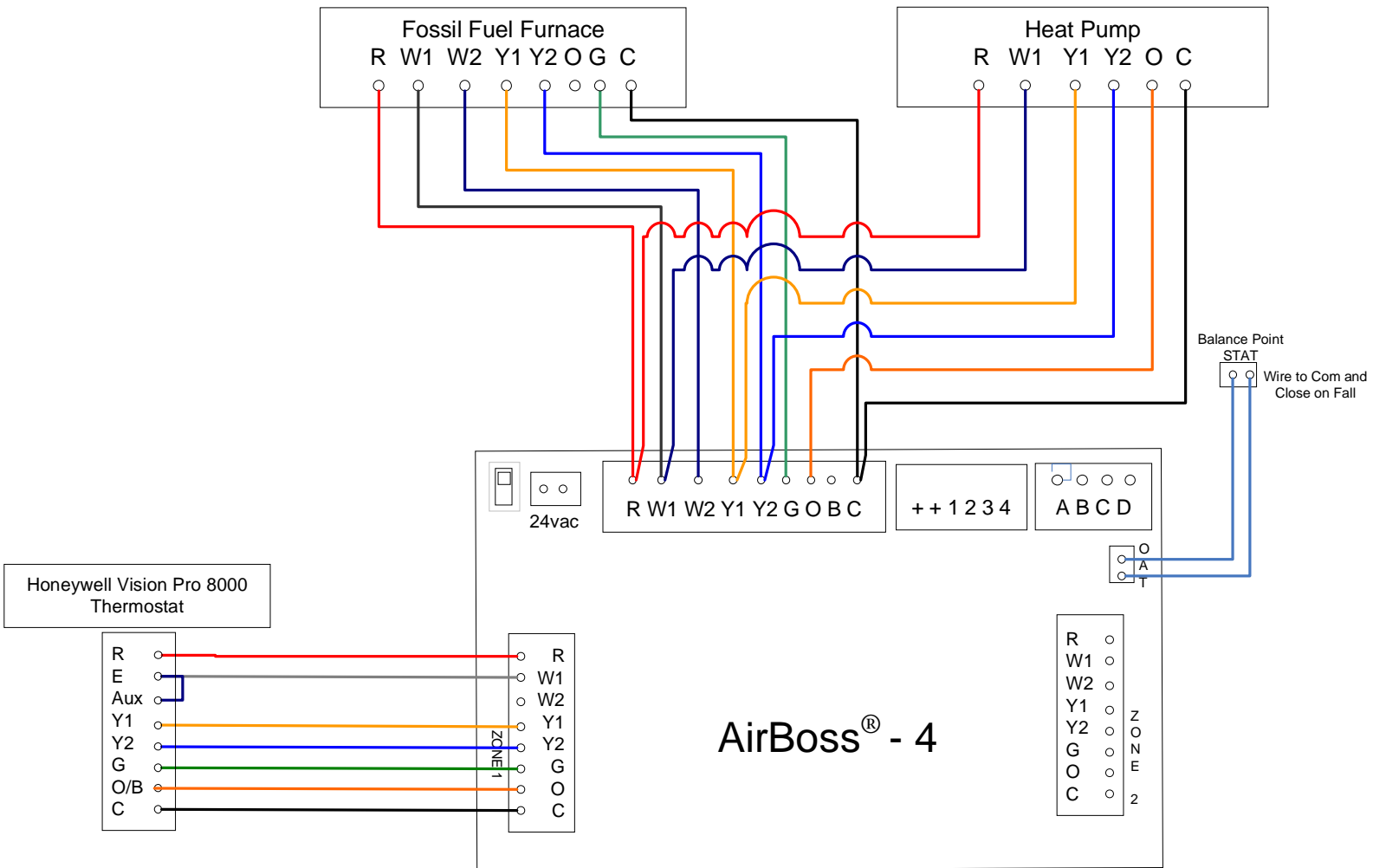


# Arzel zoning Technology, Inc.

## AirBoss® Panel Wiring

W/ Honeywell Vision Pro 8000 Thermostat



Zones 2, 3, 4 can be wire as shown at zone 1

RH and RC should be jumpered

Remove (Y1/Y2) W915 jumper in furnace when using with 2 stg HP

Jumper Aux and E terminals at stat

Verify Aux Ht and Emerg Ht operation at system commisioning

Be sure heat cycles on/off with stat

Technical Support Hot-Line 1-800-611-8312

www.arzelzoning.com