

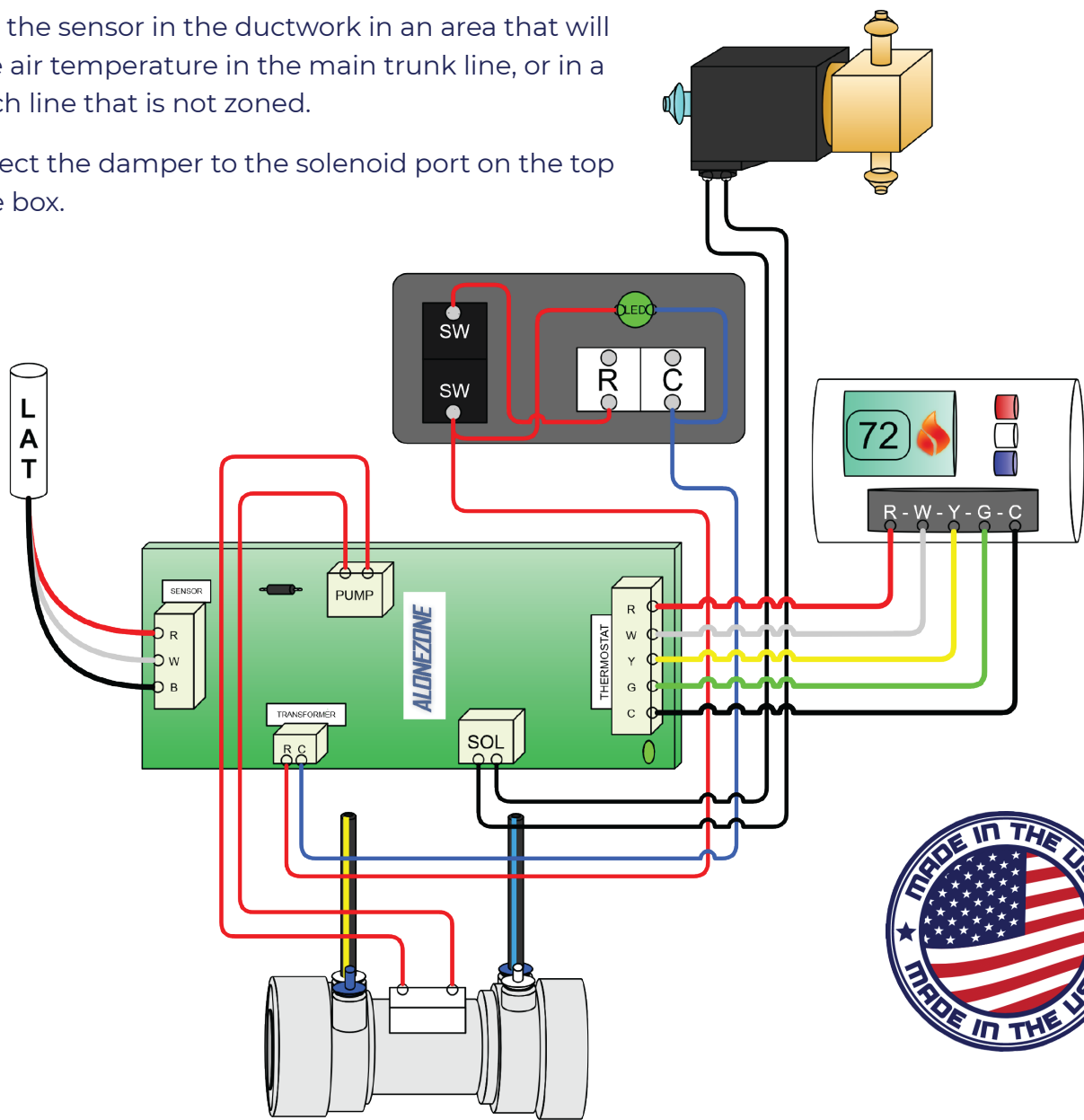
# AloneZone™

## INSTALLATION INSTRUCTIONS

The AloneZone™ is designed for applications where you need to control air flow (dampers), but do not need to control the equipment.

1. Connect the provided transformer to the R and C terminals. Plug in the transformer.
2. Connect a standard heat/cool thermostat to the thermostat terminal block labeled THERMOSTAT.
3. Place the sensor in the ductwork in an area that will sense air temperature in the main trunk line, or in a branch line that is not zoned.
4. Connect the damper to the solenoid port on the top of the box.

AloneZone Panel  
**PAN-ALONE**



Phone: 216-831-6068  
Fax: 216-831-6074  
4801 Commerce Parkway  
Cleveland, OH 44128

Technical Support  
**800-611-8312**  
Monday-Friday, 8am-9pm EST

**Arzel Zoning**  
TECHNOLOGY  
[www.arzelzoning.com](http://www.arzelzoning.com)