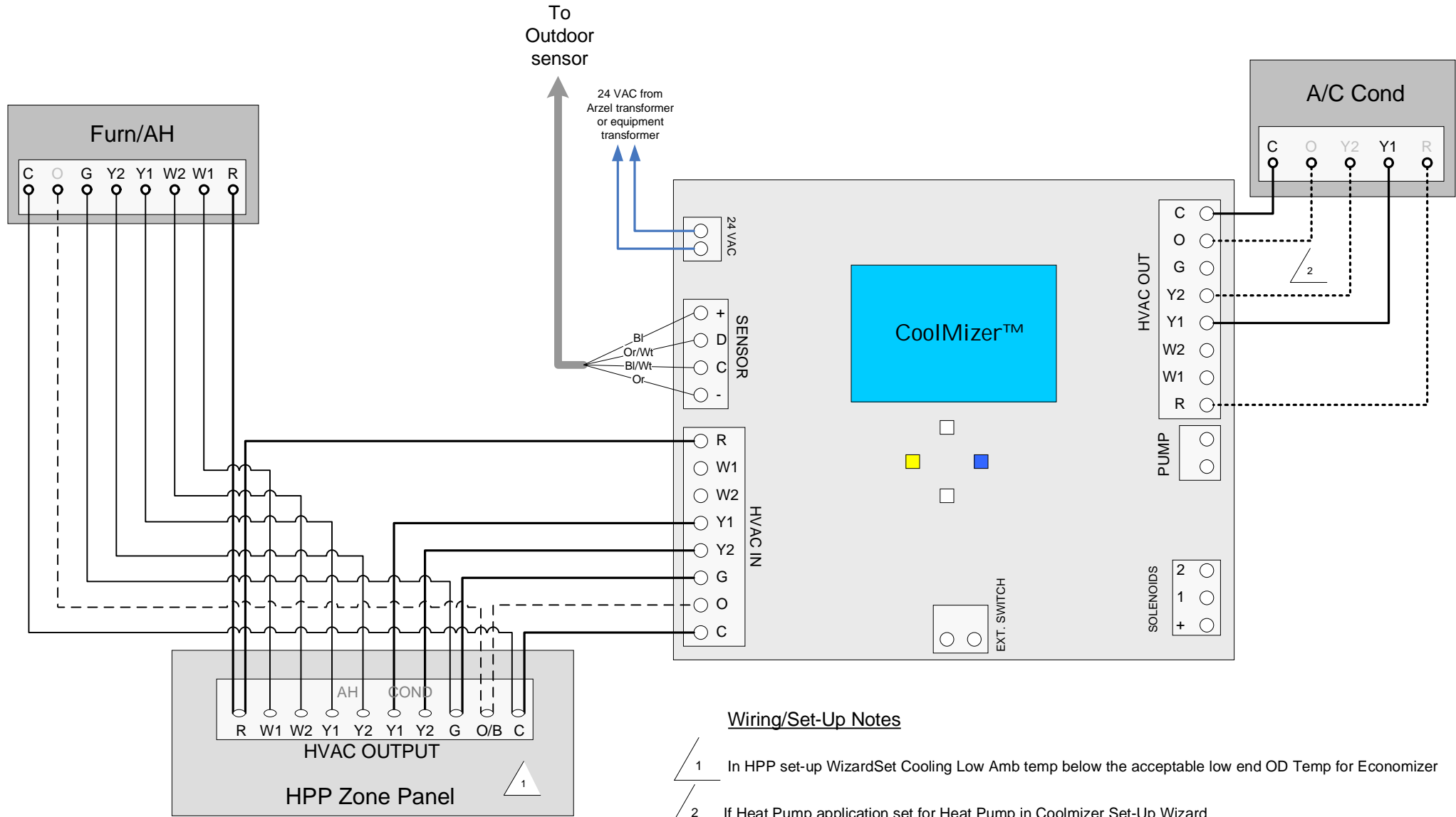


CoolMizer with HeatPumPro Zone Panel



Description: CoolMizer wired to a HeatPumPro zone panel for Economizer control

Drawing Number: CLMHPPECON

Drawn By: JCR Date Drawn: 8/17/12 Revision Date: _____

© copyright 2000 by Arzel Zoning Technology, Inc.

Arzel Zoning Technology, Inc.
4801 Commerce Parkway
Cleveland, OH 44128
Ph: 800-611-8312
www.arzelzoning.com

