

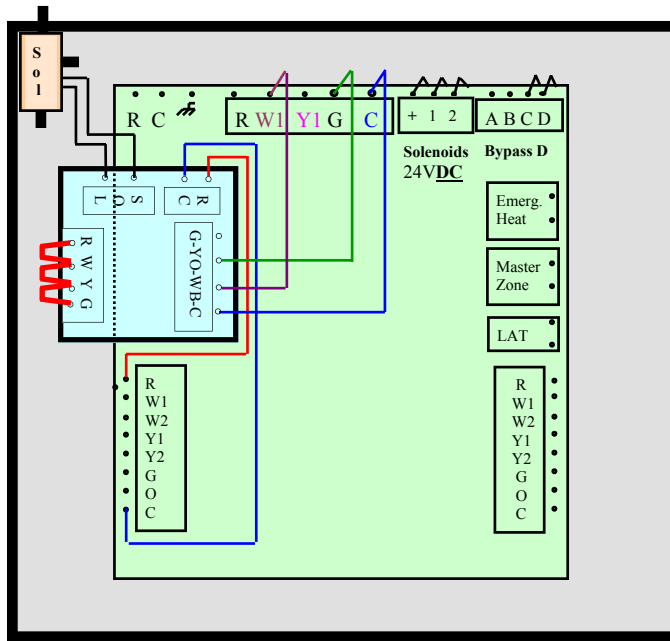


*** AirBoss® w/F A C T Board**

“FACT” Field Wiring Diagram

FACT to Output

G	N/A
Y/O	G
W/B	W1
C	C



- The FACT control will open the Fresh Air damper any time there is a call for Htg, Clg, or Fan at the HVAC Output terminals.
- The fresh air call can be overridden (kept closed) by opening the external control circuit between terminals Y & 1 as shown in diagram. *(Factory jumper must be removed)*

Where Comfort is Guaranteed !

216-831-6068 / Fax 216-831-6074

National Tech Support Hot Line-1-800-611-8312

www.arzelzoning.com

Drawing #
ABWD-2021E2
 Rev. 4/18/06

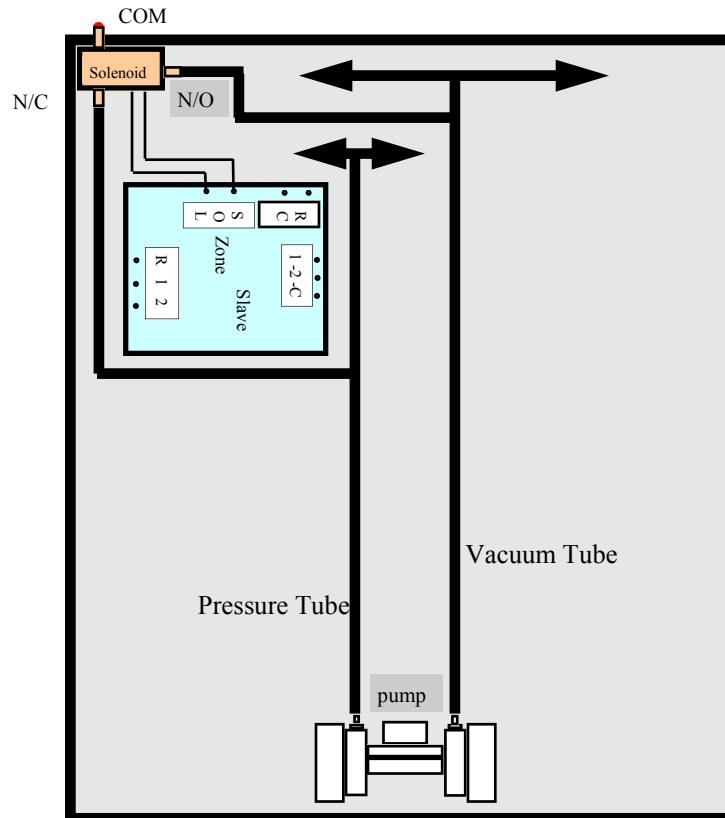


Arzel Zoning Technology Panel Plumbing



* Field Installed "Fresh Air Control"

2 of 3



- FACT solenoid plumbing is identical to the zone solenoids
- Bottom "n/c" port is connected to the Pressure (left side) port on pump
- End "n/o" port is connected to the Vacuum (right side) port on the pump.
- Top "Com" port is connected to the Fresh Air damper air tube.

Where Comfort is Guaranteed !

216-831-6068 / Fax 216-831-6074

National Tech Support Hot Line-1-800-611-8312

www.arzelzoning.com

Drawing #
ABWD-2006-C
Rev. 4/18/06



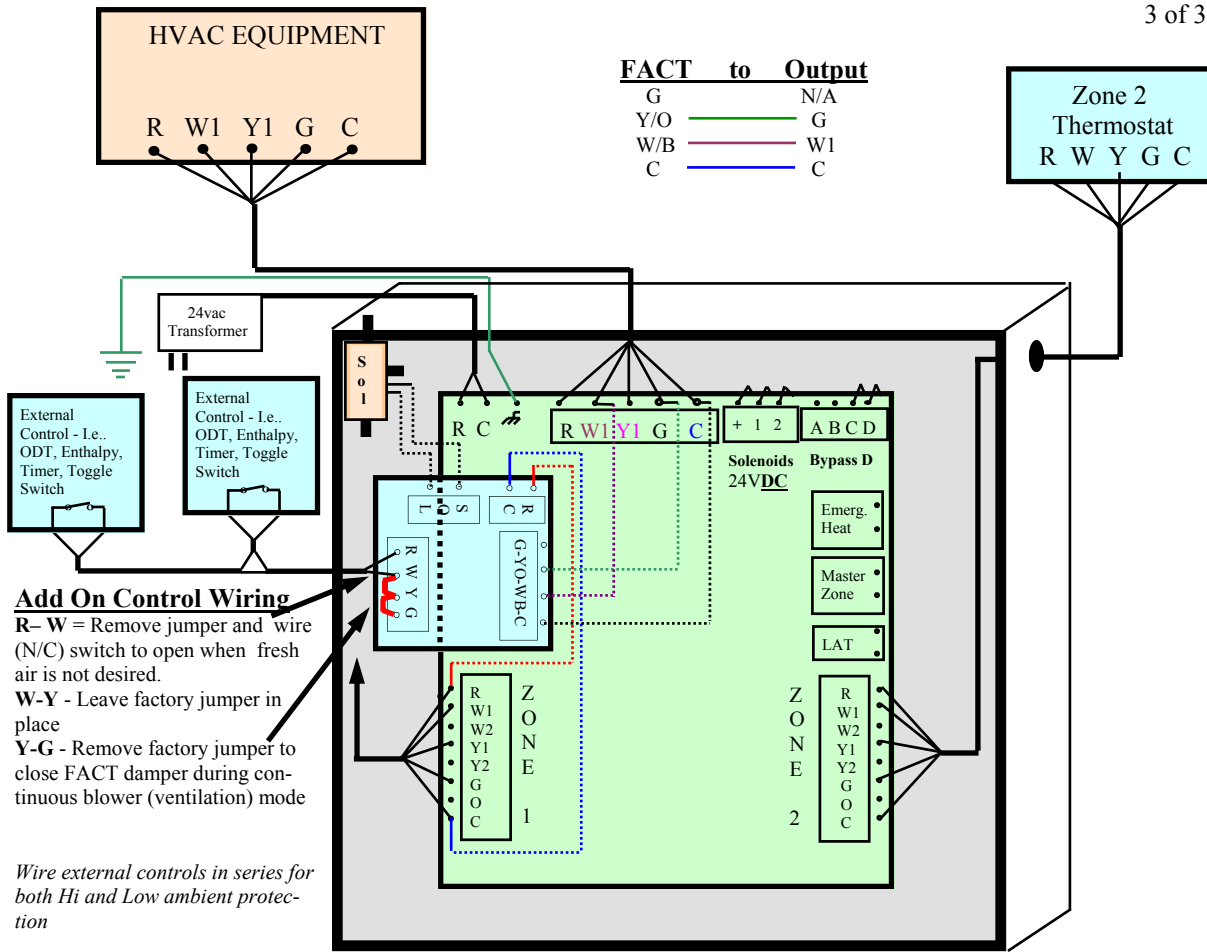
Arzel Zoning Technology

AirBoss® Panel Wiring



*** AirBoss® w/Fresh Air Control Technology**

3 of 3



- The FACT control will open the Fresh Air damper any time there is a call for Htg, Clg, or Fan at the HVAC Output terminals.
- The fresh air call can be overridden (kept closed) by removing the R-1 jumper and connecting a Time, Temperature or Toggle switch that will open the circuit and close the damper when outside air is not desired. *(factory jumper must be removed)*

Where Comfort is Guaranteed !

216-831-6068 / Fax 216-831-6074

National Tech Support Hot Line-1-800-611-8312

www.arzelzoning.com

Drawing #
 ABWD-2021F2
 Rev. 4/18/06