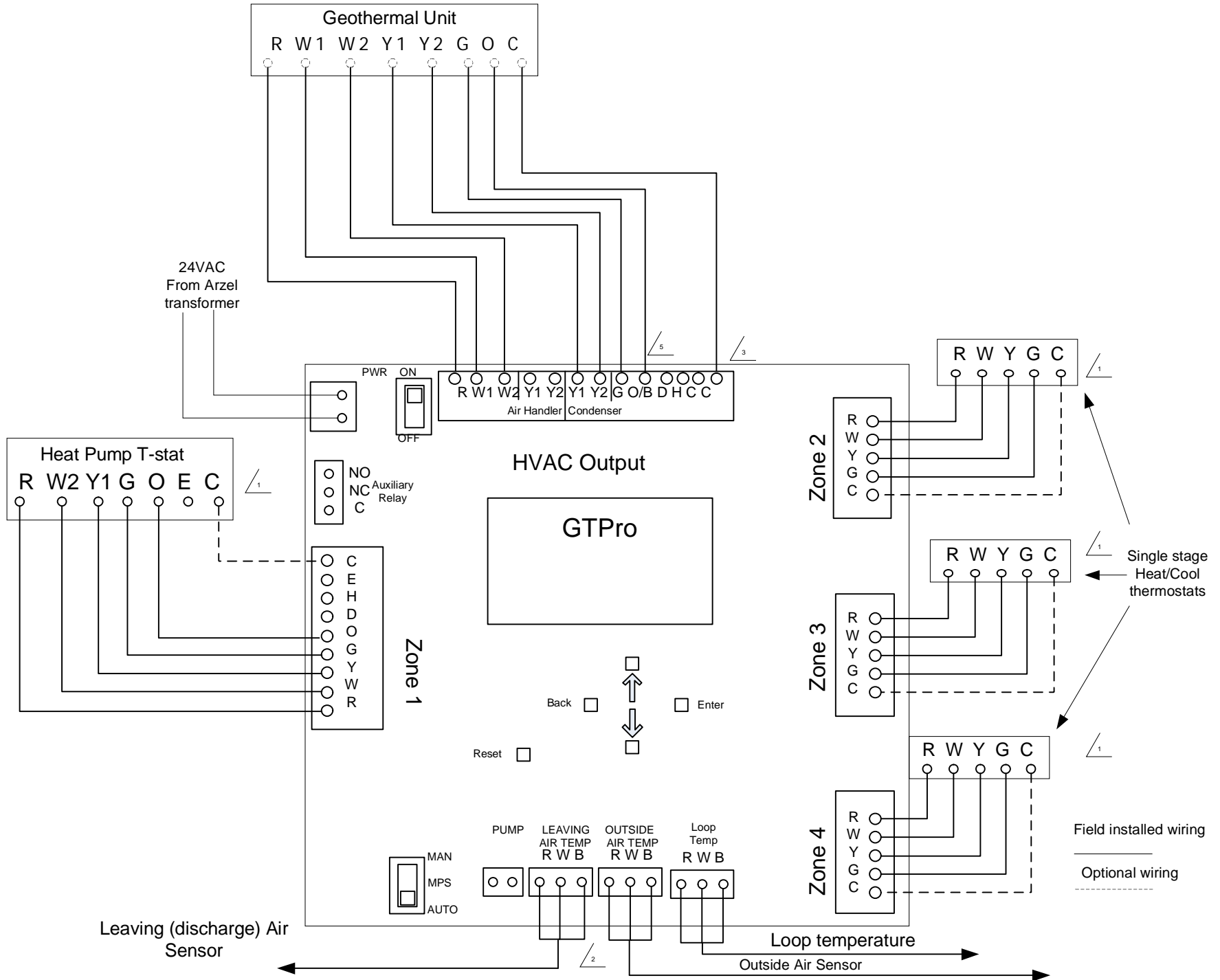
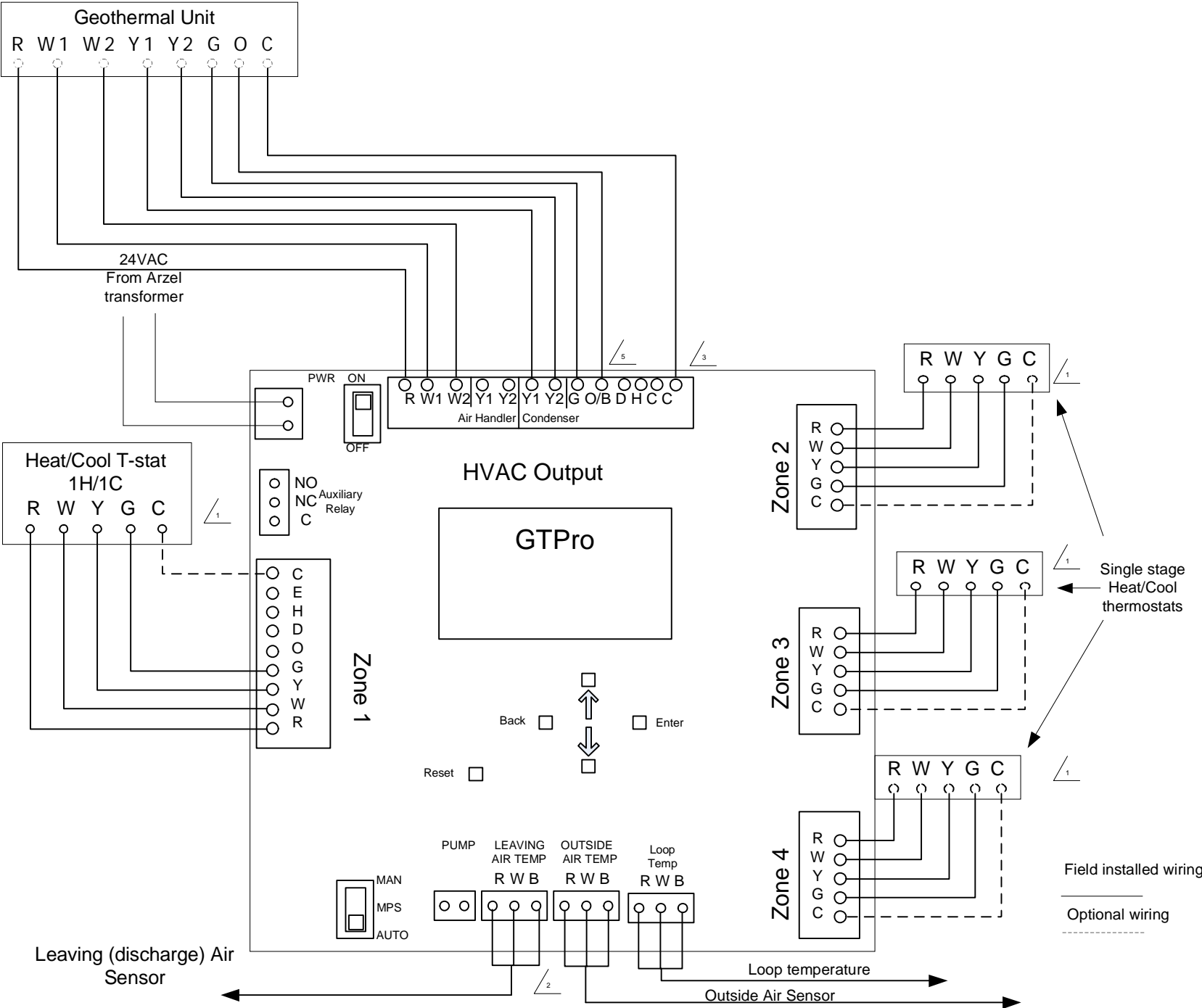


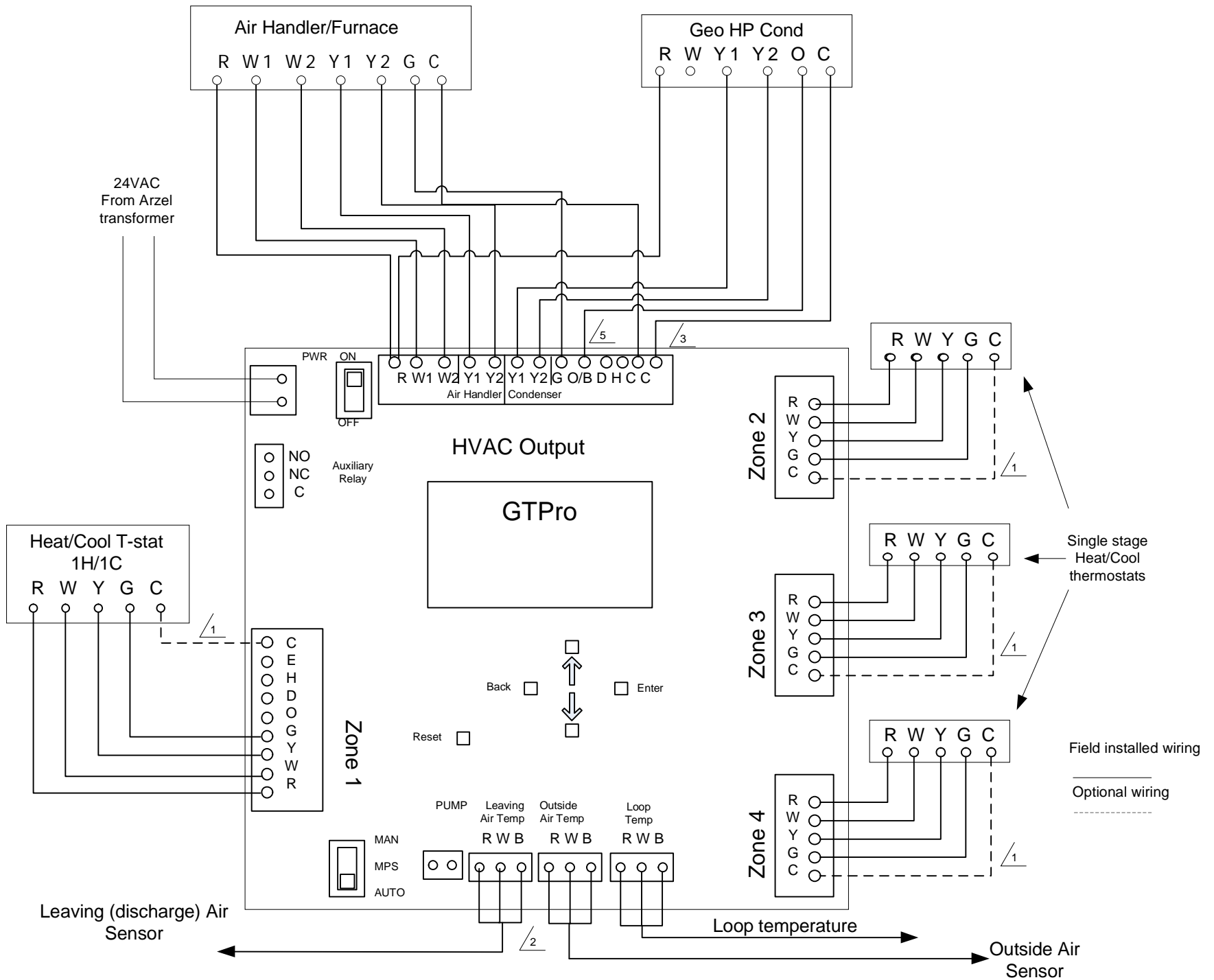
Packaged Geothermal with a Heat Pump stat at Zone 1



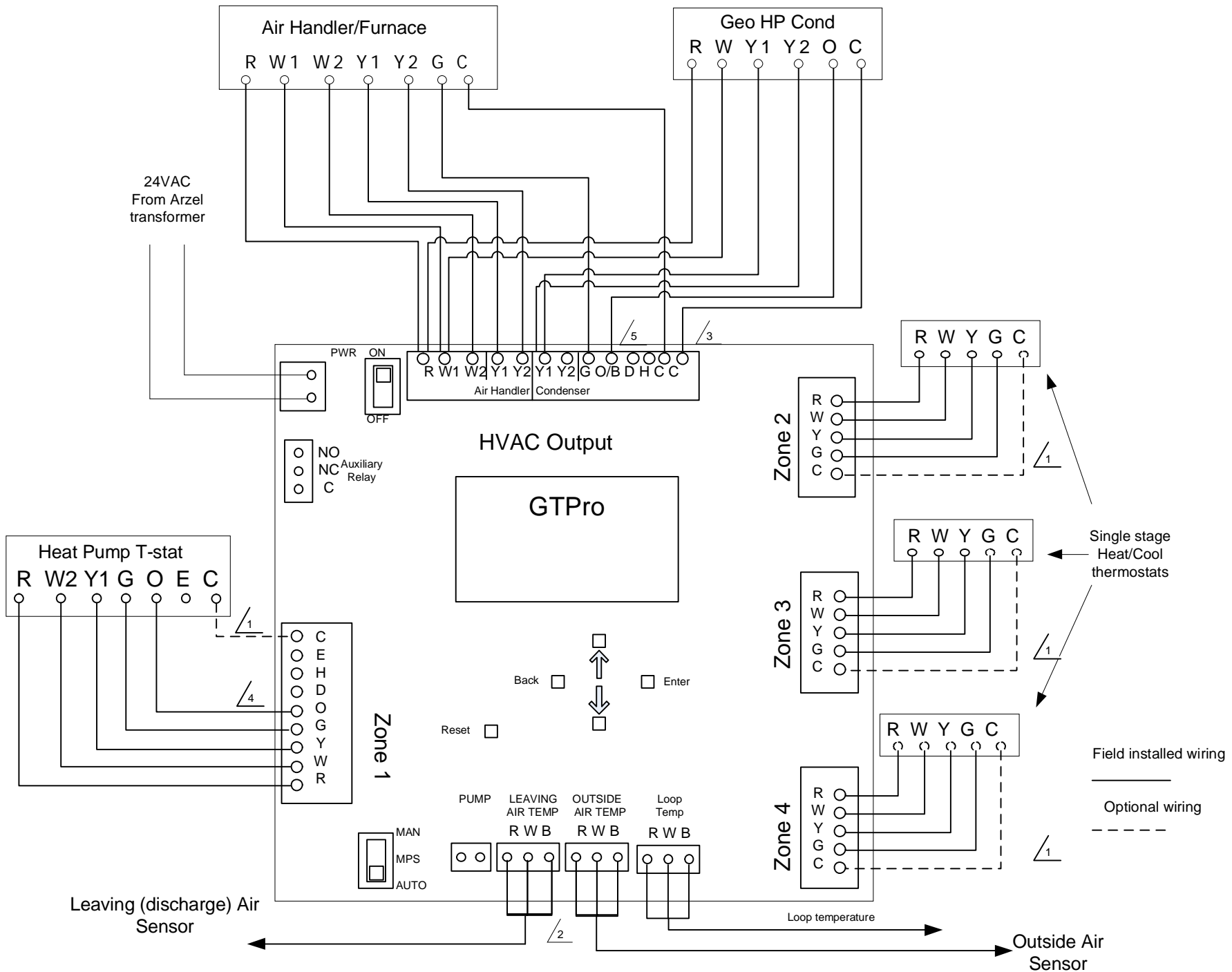
Packaged Geothermal with a Heat/Cool stat at Zone 1



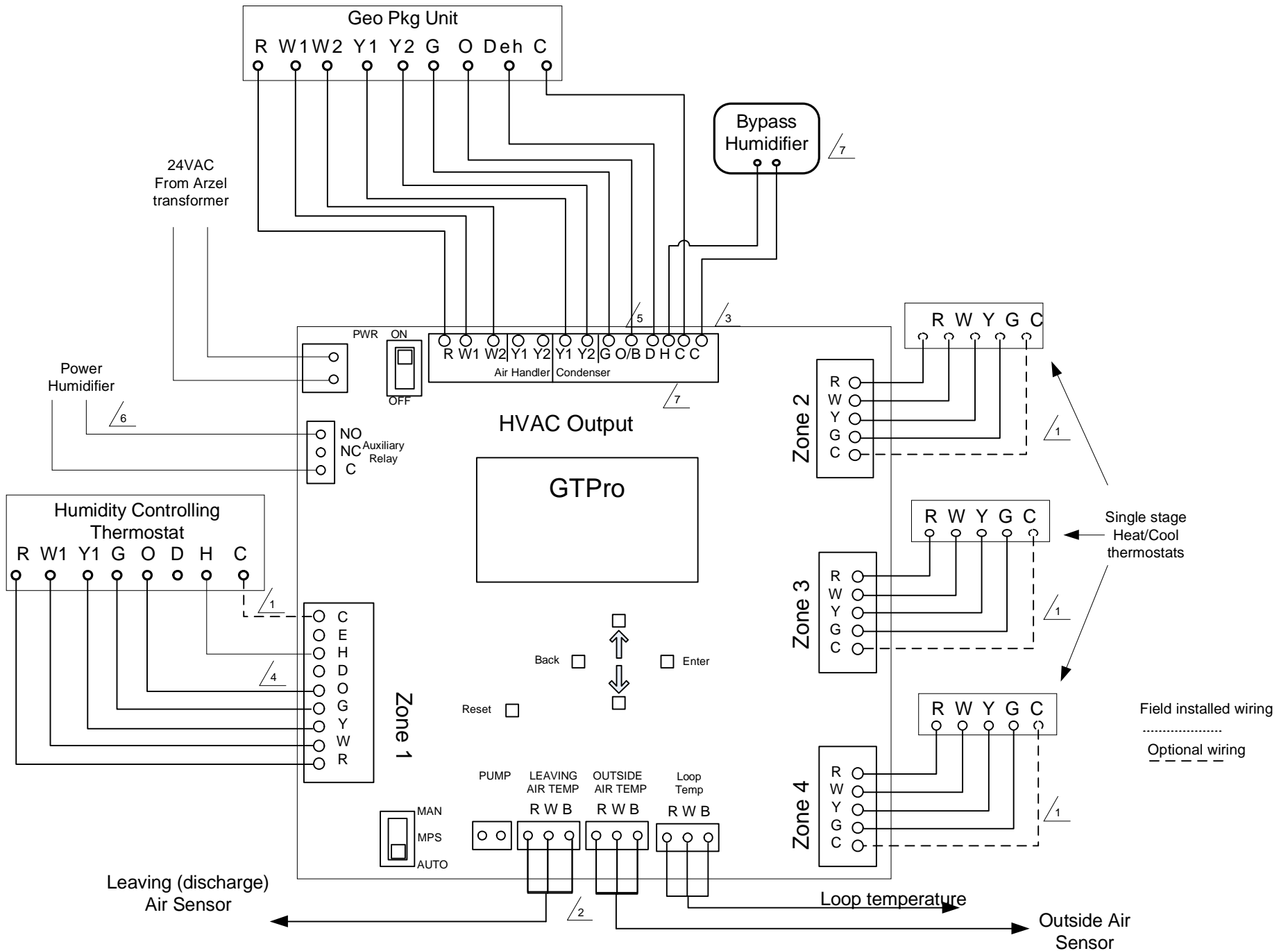
Split system with a Heat/Cool T-Stat at Zone 1



Split system with a Heat Pump T-Stat at Zone 1



Humidity control from zone 1 thermostat



Independent Humidity/Dehumidity control from Zone 1

