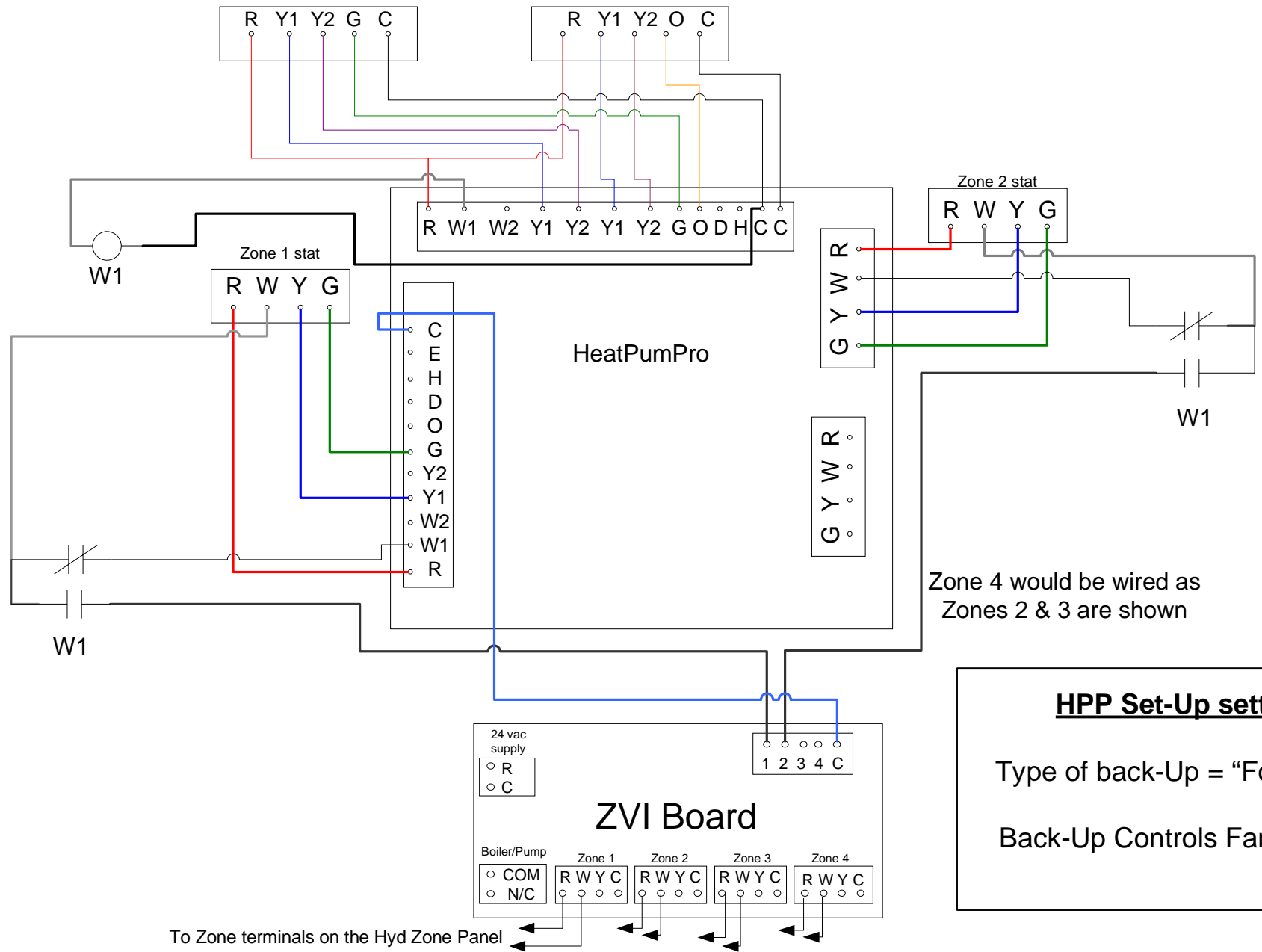


HeatPumPro™ w/ZVI Controlling Bal-Pnt to Hydronic zone panel as back-up



HPP Set-Up settings

Type of back-Up = "Fossil Fuel"

Back-Up Controls Fan = "True"

Description: HPP w/ ZVI to Hyd Zone panel as BP back up

Drawing Number: HPP w ZVI to Zone panel

Drawn By: Bill Date Drawn: 5-12-08 Revision Date: 10/9/12

Arzel Zoning Technology, Inc.
4801 Commerce Parkway
Cleveland, OH 44128
Ph: 800-611-8312
Www.arzelzoning.com

