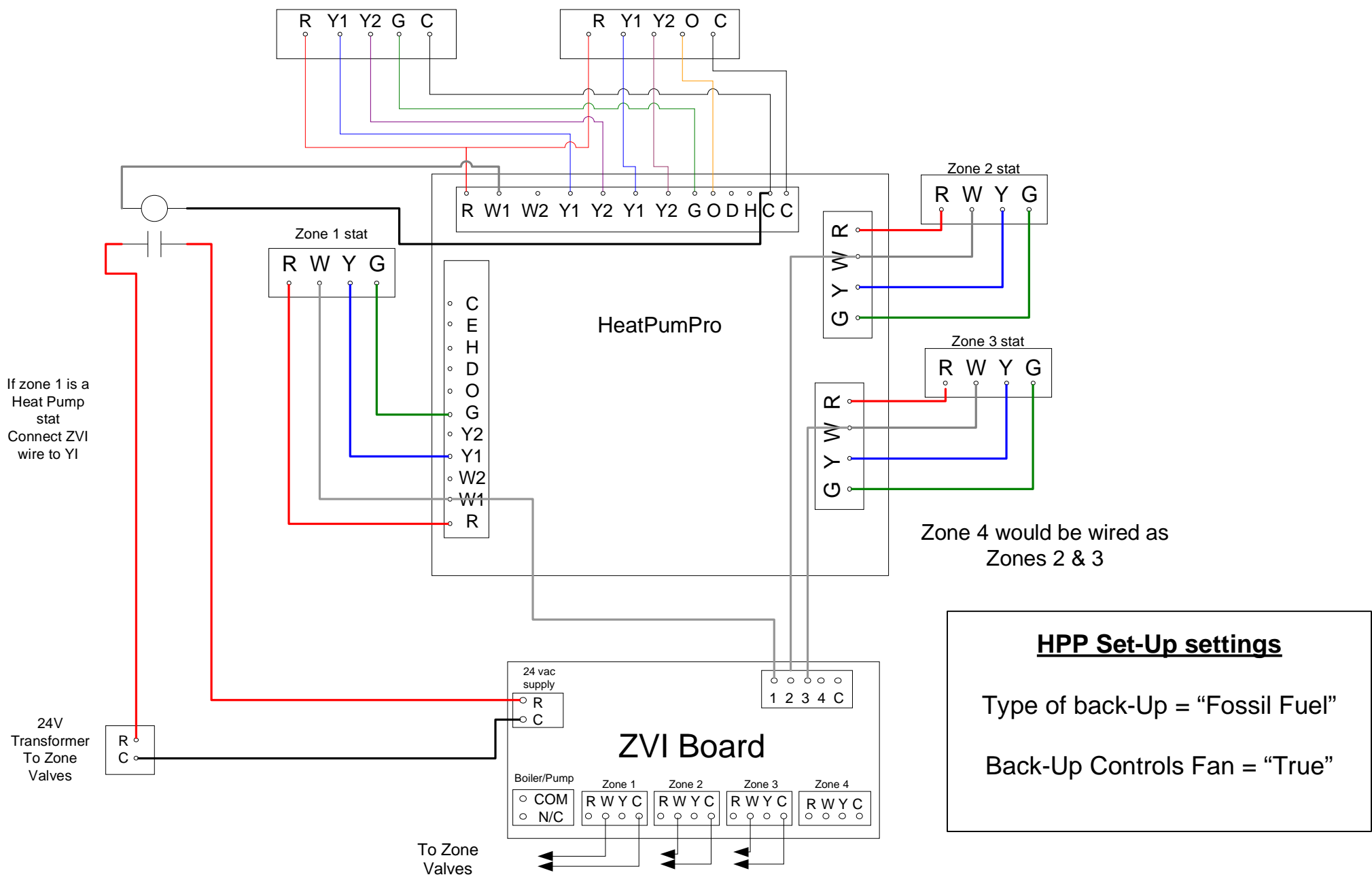


# HeatPumPro™ Controlling Bal-Pnt to Hydronic Baseboard back-up with ZVI



Description: HPP w/ ZVI and baseboard back up

Drawing Number: HPPZVI

Drawn By: Bill

Date Drawn: 5-12-08

Revision Date: 4-07-11

Arzel Zoning Technology, Inc.  
4801 Commerce Parkway  
Cleveland, OH 44128  
Ph: 800-611-8312  
www.arzelzoning.com

