

Arzel Zoning Technology, Inc.

Heat PumPro w/ 2 Stg Package Geothermal

Y2 Relay to control High Stage (Y2) operation by both Zone Weight & LAT

The Y2 relay will engage 2nd stage operation when the **Air Handler Stage Threshold** percentage is met and the **Htg & Clg Stage Threshold** temperatures are not reached.

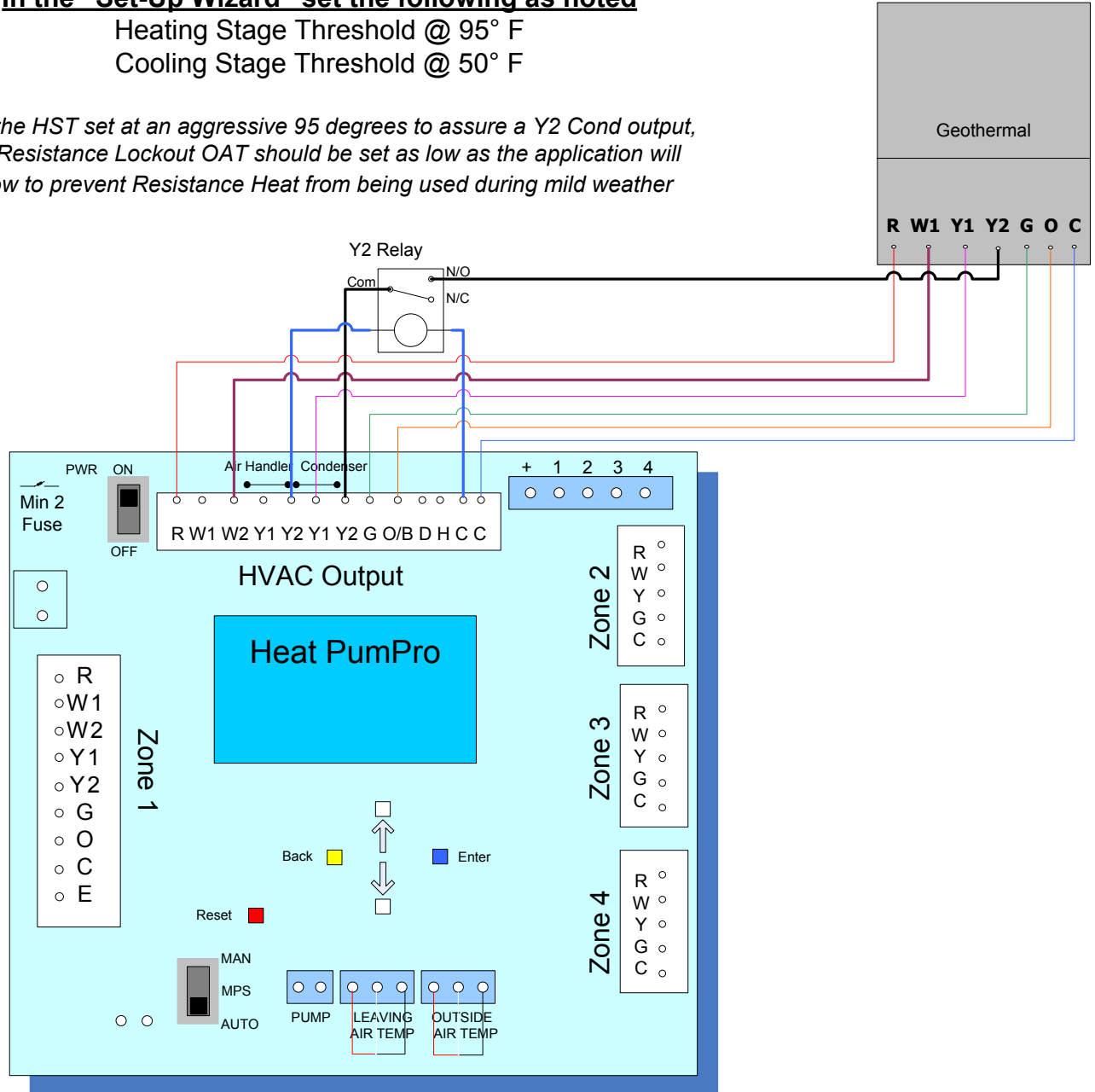
Once the AH Stage Threshold percentage is reached (Y2 AH) (majority of duct being served) and the "Y2 cond" is energized (Heat Stage Threshold is not achieved) the Y2 relay will initiate 2nd stage equipment operation.

In the "Set-Up Wizard" set the following as noted

Heating Stage Threshold @ 95° F

Cooling Stage Threshold @ 50° F

With the HST set at an aggressive 95 degrees to assure a Y2 Cond output, the Resistance Lockout OAT should be set as low as the application will allow to prevent Resistance Heat from being used during mild weather



Technical Support Hot-Line 1-800-611-8312

www.arzelzoning.com

© Copyright 2009 by Arzel Zoning Technology, Inc. All rights Reserved