

RegiDamper®

SPECIFICATION SHEET

The RegiDamper® allows for easy damper installation in previously difficult situations. The damper slips easily into your register boot, and then the ¼-inch OD plenum-rated airline is fished back through the ductwork. Works with any of the Arzel damper product line, so you can mix and match.

PARTS

Part Number	Dimensions
REG-2x10	2" x 10" x 4.5"
REG-2x12	2" x 12" x 4.5"
REG-3x10	3" x 10" x 4.5"
REG-3x12	3" x 12" x 4.5"
REG-4x10	4" x 10" x 4.5"
REG-4x12	4" x 12" x 4.5"
REG-6x10	6" x 10" x 4.5"
REG-6x12	6" x 12" x 4.5"



www.arzelzoning.com/warranty

Quiet Actuator

Features a patented low-friction air cylinder instead of the standard Arzel actuator.

Inaccessible Ductwork?

No problem! RegiDamper goes right in the register boot, so you can add zoning even if the ductwork is not accessible.

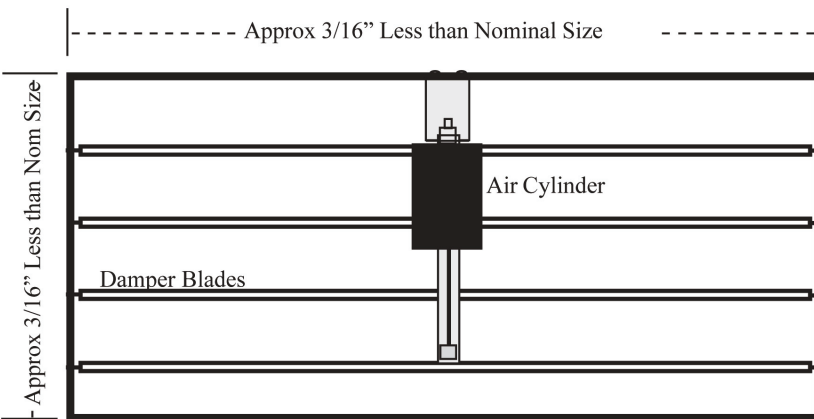
Simplified Configuration

RegiDamper utilizes low-pressure air for opening and closing the damper blades. That makes them extremely reliable, and also simplifies zone configuration because instead of being wired to the zoning panel, they are connected by color-coded, UL-rated tubing.

Limited Lifetime Warranty

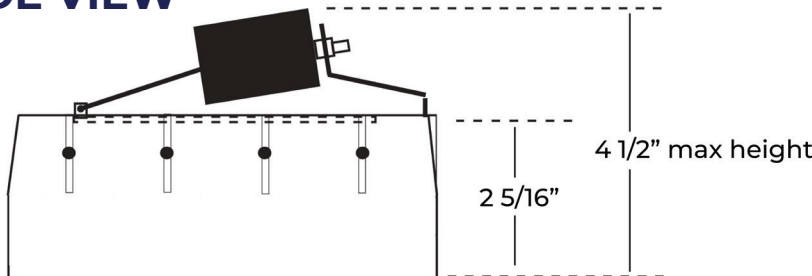
Stock Arzel dampers are covered by a limited lifetime warranty with a qualifying Arzel Zoning panel.

FRONT VIEW



Top (face) View Standard Regi Dimension

SIDE VIEW



Phone: 216-831-6068
 Fax: 216-831-6074
 4801 Commerce Parkway
 Cleveland, OH 44128

Technical Support
800-611-8312
 7 days a week, 8am-9pm EST

Arzel Zoning
 TECHNOLOGY
www.arzelzoning.com