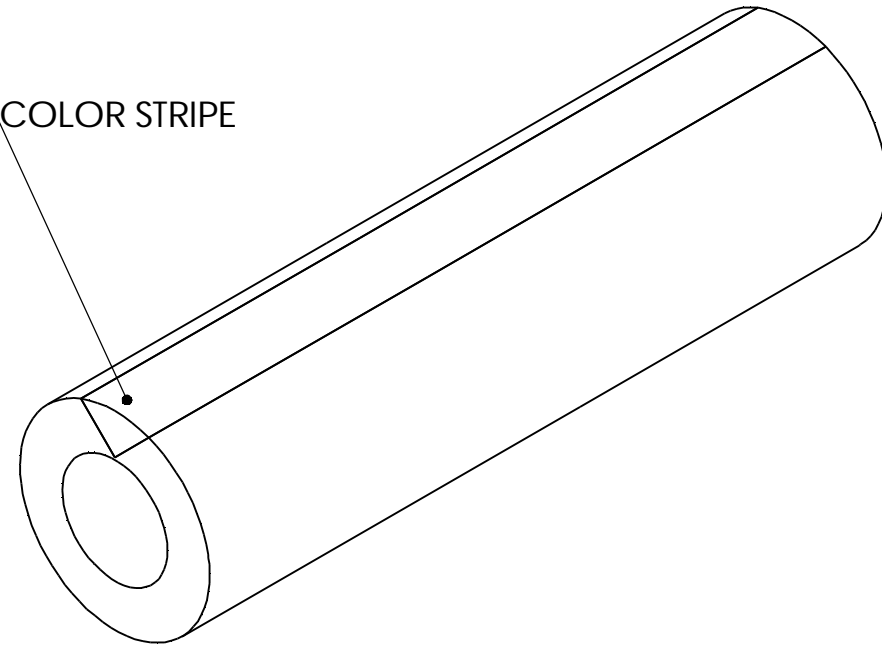


COLOR STRIPE



MATERIAL: SYLVIN 8980-80  
 COLORS: BLUE, GREEN, ORANGE, PURPLE  
 PINK, RED, WHITE, YELLOW  
 SIZE: OD=0.280", ID=0.155"  
 PACKAGING: 200' REEL  
 TEMPERATURE: -20F - 150F

**PROPRIETARY AND CONFIDENTIAL**  
 THE INFORMATION CONTAINED IN THIS  
 DRAWING IS THE SOLE PROPERTY OF  
 <INSERT COMPANY NAME HERE>. ANY  
 REPRODUCTION IN PART OR AS A WHOLE  
 WITHOUT THE WRITTEN PERMISSION OF  
 <INSERT COMPANY NAME HERE> IS  
 PROHIBITED.

		UNLESS OTHERWISE SPECIFIED:		NAME	DATE	ARZEL ZONING TECHNOLOGY	
		DIMENSIONS ARE IN INCHES		DRAWN	ALEX	TITLE:  <b>TUBING</b>	
		TOLERANCES:		CHECKED			
		FRACTIONAL ±		ENG APPR.			
		ANGULAR: MACH ± BEND ±		MFG APPR.			
		TWO PLACE DECIMAL ±		Q.A.		SIZE	DWG. NO.
		THREE PLACE DECIMAL ±		COMMENTS:		<b>A</b>	<b>1</b>
		INTERPRET GEOMETRIC TOLERANCING PER:					REV
		MATERIAL					<b>1</b>
NEXT ASSY	USED ON	FINISH				SCALE: 2:1 WEIGHT: SHEET 1 OF 1	
APPLICATION		DO NOT SCALE DRAWING					

5

4

3

2

1